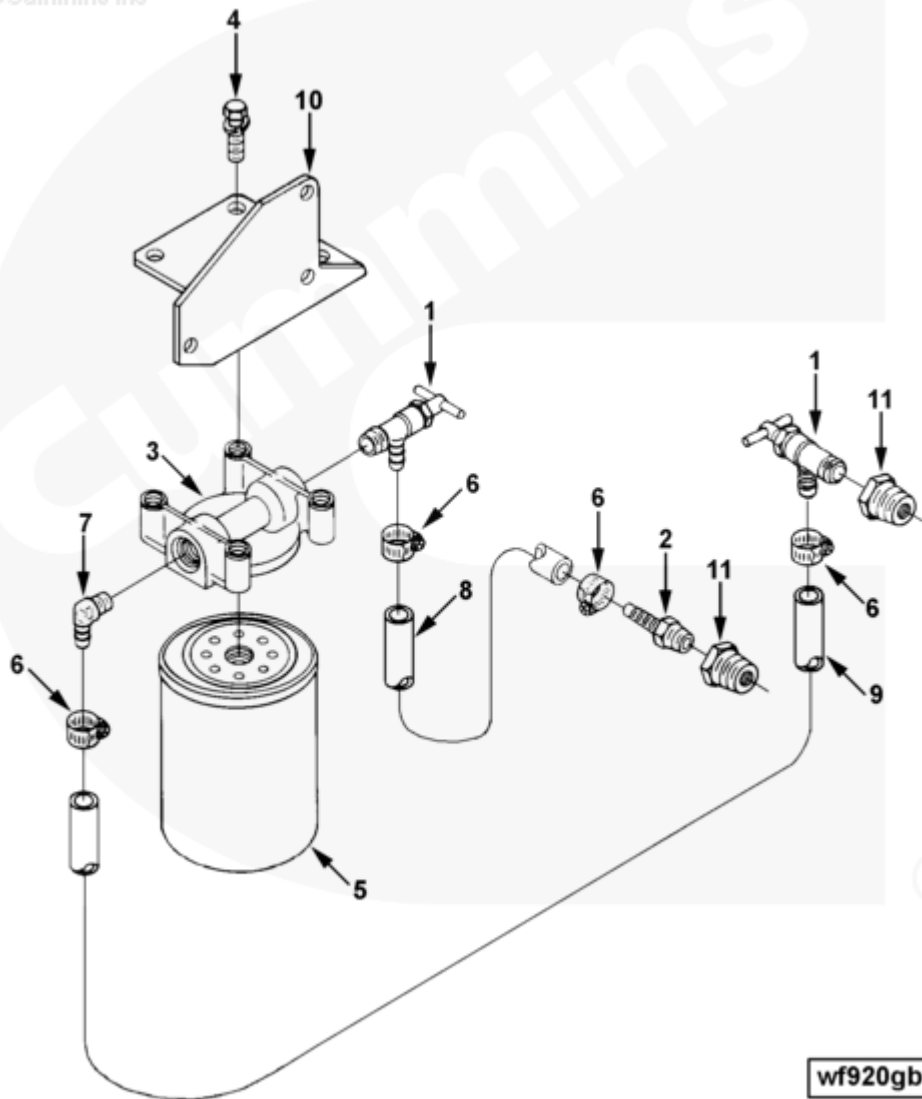




Parts Catalog - Option Detail

Electronic Parts Catalog - Option Detail				
Option	Group	Graphic	Film Card	Date
WF9011	08.08	wf920gb	Z	05-MAR-92
Engines	6C8.3, C GAS PLUS CM556, G8.3, G8.3 CM558, GTA8.3 CM558, ISC CM2150, ISC CM554, ISC CM850, ISC8.3 CM2250, ISC8.3 G CM2180 C101, ISL CM2150, ISL CM554, ISL CM850, ISL G CM2180, ISL8.9 CM2150 L110, ISL8.9 CM2880 L112, ISL9 CM2150 SN, ISL9 CM2250, ISL9 CM2350 L101, ISL9 CM2350 L111, ISLE4 CM850, L GAS PLUS CM556, L8.9, L8.9 L121, L8.9G CMOH2.0 L125B, L9 CM2350 L116B, L9 CM2350 L119B, L9 CM2350 L120C, L9 CM2350 L123B, L9.3 L105, L9.5 L117, L9N CM2380 L124B, QSC8.3 CM2250, QSC8.3 CM2880 C102, QSC8.3 CM554, QSC8.3 CM850(CM2850), QSL9 CM2250, QSL9 CM2250 L115, QSL9 CM2350 L102, QSL9 CM2350 L107, QSL9 CM2350 L118, QSL9 CM2350 L122, QSL9 CM554, QSL9 CM850(CM2850), QSL9 G CM558, QSL9 M CM2250 L106, QSL9.3 CM2880 L113			



SMALL | MEDIUM | LARGE

Cart	Ref No	Part Number	Part Description	Required	Remarks
------	--------	-------------	------------------	----------	---------

View My Cart

		WF9011	Corrosion Resistor		
					Water filter mounted on oil
					cooler cover (exhaust
					manifold side) and
					plumbed to the engine cooling
					system. Plumbing routed
					under the filter. Filter
					head mounted on bottom of
					bracket. Mounting locates
					fuel filter 12mm (.5in) lower
					than wf 9005.
					For use on marine engines.
<input type="checkbox"/>	1	179901	Shut-Off Valve	2	
<input type="checkbox"/>	2	179902	Plain Hose Coupling	1	
<input type="checkbox"/>	3	204163	Corrosion Resistor Head	1	C. Filtration P/N 204163S
<input type="checkbox"/>	4	3010596	Captive Washer Cap Screw	4	3/8 - 16 x 1 1/4 in.
<input type="checkbox"/>	5	3315115	Corrosion Resistor		
<input type="checkbox"/>	6	3910509	Hose Clamp	4	1/4 - 7/8 in.
<input type="checkbox"/>	7	3911944	Elbow Hose Coupling	1	
<input type="checkbox"/>	8	3914612	Plain Hose	1	
<input type="checkbox"/>	9	3914614	Plain Hose	1	
<input type="checkbox"/>	10	3916304	Filter Bracket	1	
<input type="checkbox"/>	11	S 921 D	Reducing Pipe Bushing	2	